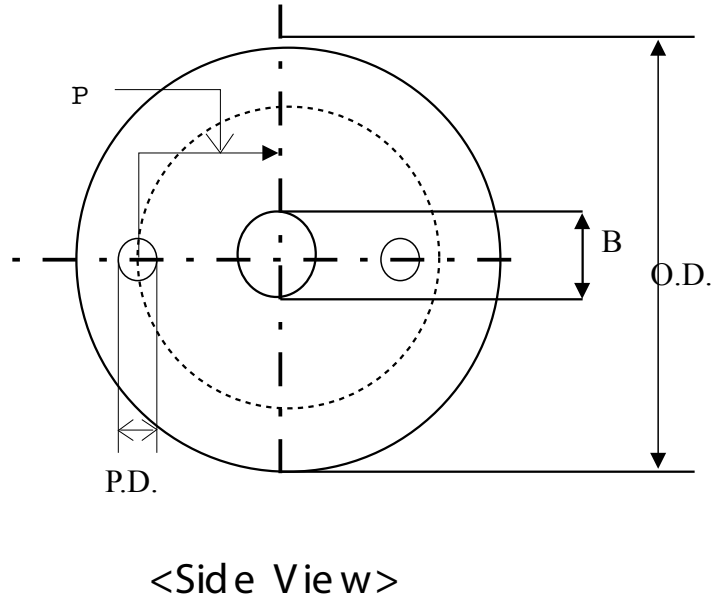
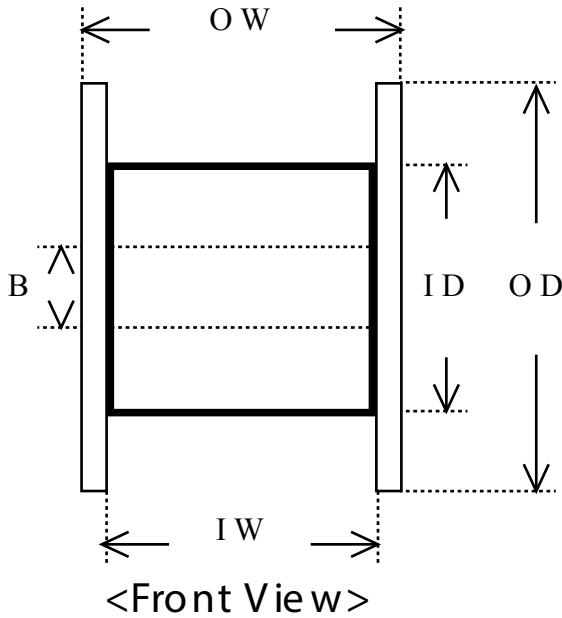




SIMPACKS

LINE SPEED _____ (IF IN LINE WITH EXTRUSION)

TAKE UP SINGLE DUAL



1. Weight of Bobbin:

_____ Lbs to _____ Lbs (empty)
 _____ Lbs to _____ Lbs (full loaded)

2. Application:

In Line with Extrusion Line Rewinding Line

3. Diameter of Wire/Cable

_____ to _____ (Overall Diameter)

4. Small Reel: O.D: _____ I.D: _____ B: _____
 I.W: _____ O.W: _____ P.D: _____ P: _____

5. Big Reel: O.D: _____ I.D: _____ B: _____
 I.W: _____ O.W: _____ P.D: _____ P: _____